

HSF RoHS

REV	ECN NO	DESCRIPTION	DATE	NAME
A		NEW		

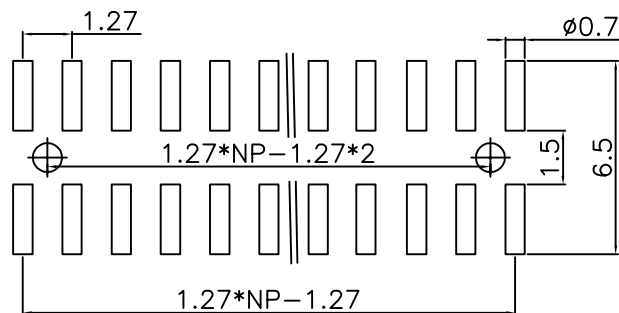
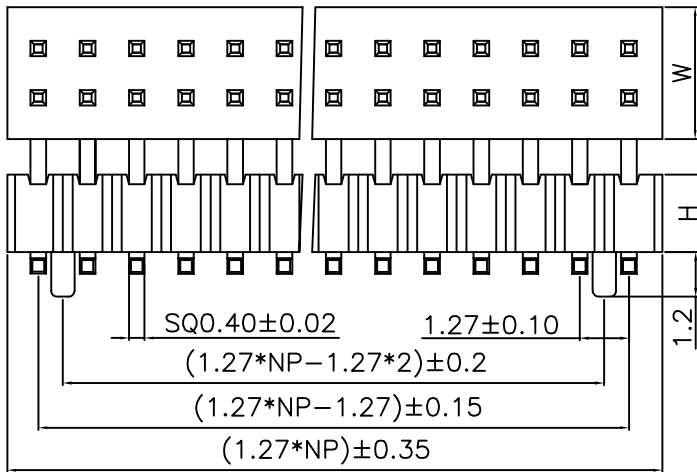
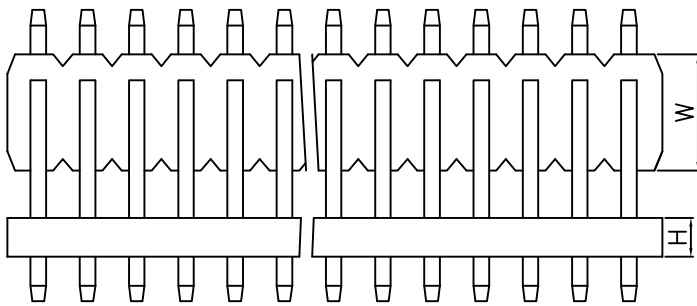
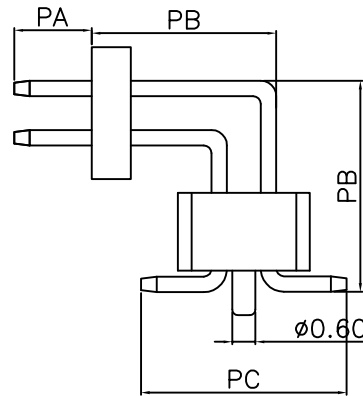
Specifications

- 1.Current Rating:1.0Amps
- 2.Insulation Resistance:1000 MΩ min.
- 3.Dielectric withstanding Voltage: 500V AC/DC
- 4.Contact Resistance:20 mΩ max.
- 5.Operating Temperature:-40°C to+105°C
- 6.Contact Material: Brass
- 7.Insulation Material:Asfollows,UL94V-0,Black
- 8.Plated: Au Over Ni

Ordering Information

L204 XX -XX 2 X X XX X

Insulation Height*Wide (H*W) Option: 10=1.0*3.4 15=1.5*2.3 20=2.0*3.0	NO. of Pins Per Row: 1-50P	Insulation Material Option: 1=PBT 2=PPS 3=NY6T 4=LCP 5=NY66 6=Customized 7=NY46 8=NY9T	Contact Plating 0=0.8" Gold 1=Au1" Gold 2=Au1.5" Gold 3=Au2" Gold 4=Au3" Gold 5=Au5" Gold 6=Customized 7=Gold/Tin 8=Tin	Serial NO. 01-69	Packing A=PE Bag B=Tube C=Tray D=Reel
---	-------------------------------	---	--	---------------------	---



PCB LAYOUT

Dimension antitheses list

ITEM	PC	PB	PA	H	Pin Length
Standard	5.50	5.90/4.90	2.00	2.00/1.00	14.2/16.8
Alternate					

LDCONN 东莞连大精密制品有限公司
DongGuan LianDa Precision Products Co., LTD

TITLE	PH1.27mm Pin Header Dual Row SMT	DRAWN BY	YTT	16.02.03
PART NO	L20420-XX2XXXXX	CHECKED BY		
DRAWING NO		APPROVED BY		
SCALE	1:1	UNIT	mm	PAGE 1/1
				SIZE A4

STANDARD TOLERANCE (EXCEPT SPECIFIED)	
LINER	ANGLES
.0 ±0.30	0.° ±3°
.00 ±0.20	.0° ±2°
.000 ±0.10	.00° ±1°