

# HSE ROHS

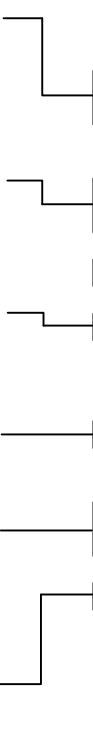
REV	ECN NO	DESCRIPTION	DATE	NAME
A		NEW		

### Specifications

1. Current Rating: 2.0Amps
2. Insulation Resistance: 1000 MΩ min.
3. Dielectric withstanding Voltage: 500V AC/DC
4. Contact Resistance: 20 mΩ max.
5. Operating Temperature: -40°C to +105°C
6. Contact Material: Brass
7. Insulation Material: As follows, UL94V-0, Black
8. Plated: Au Over Ni

### Ordering Information

L206 XX - XX I X XX X

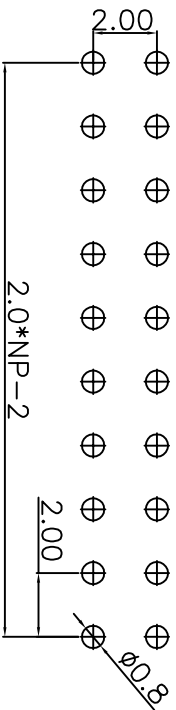
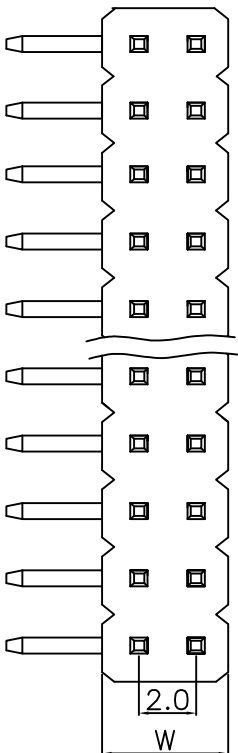
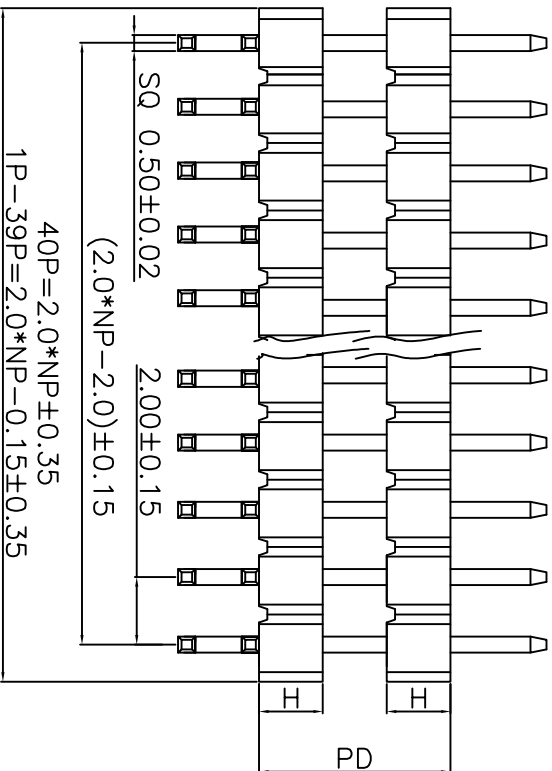
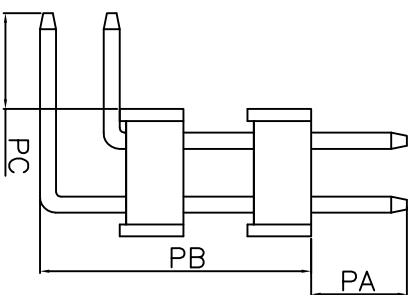


Insulation Height\*Width Per Row: 1-50P (H\*W)  
 Option:  
 10=1.0\*2.0  
 15=1.5\*2.3  
 20=2.0\*4.0

NO. of Pins  
 Insulation Material  
 Option:  
 1=BT  
 2=PPS  
 3=NV6T  
 4=LCP  
 5=VW66  
 6=Customized  
 7=NV46  
 8=VY9T

Contact Plating  
 0=0.8" Gold  
 1=Au1" Gold  
 2=Au1.5" Gold  
 3=Au2" Gold  
 4=Au3" Gold  
 5=Au5" Gold  
 6=Customized  
 7=Gold/Tin  
 8=Tin

Serial NO. 01-69  
 Packing  
 A=PE Bag  
 B=Tube  
 C=Tray  
 D=Reel



Dimension antitheses list					
ITEM	PB	PC	PA	H	Pin Length
Standard	6.00	300	8.50	3.00	2.00
Alternate					

**LDCONN 东莞连大精密制品有限公司**  
 Dongguan LianDa Precision Products Co., LTD

STANDARD TOLERANCE (EXCEPT SPECIFIED)	LINER	ANGLES
.0 ±0.30	0.°	±3°
.00 ±0.20	.0°	±2°
.000 ±0.10	.00°	±1°

TITLE	PH2.00mm Pin Header Dual Row 90°	DRAWN BY	YTT	16.02.03
PART NO	L20620-XX1XXXXA	CHECKED BY		
DRAWING NO		APPROVED BY		
SCALE	1:1	UNITE	mm	PAGE
				1/1
				SIZE
				A4