

HSF RoHS

REV	ECN NO	DESCRIPTION	DATE	NAME
A		NEW		

NOTES:

- 1.HOUSING: PA9T HIGH-TEMP THERMOPLASTIC UL94V-0 COLOR:BLACK
- 2.TERMINAL:PHOSPHOR BRONZE
PLATING:1μ" GOLD FLASH OVERALL 50~100μ" NICKEL UNDER PLATED.
- 3.CODING INFORMATION:

L404XX - XX X 2 XX X

NO. of Pins
Per Row: XX=XXP

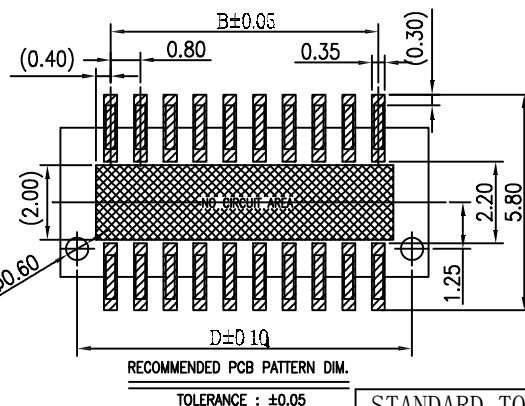
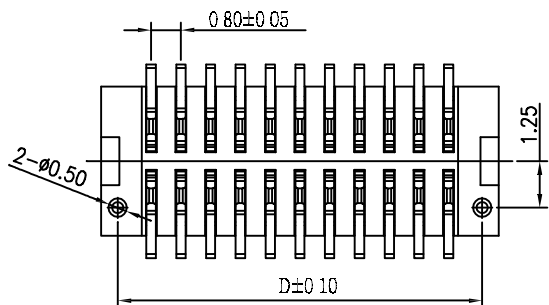
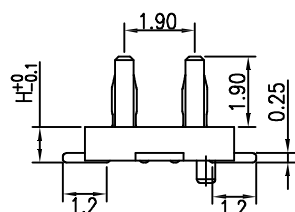
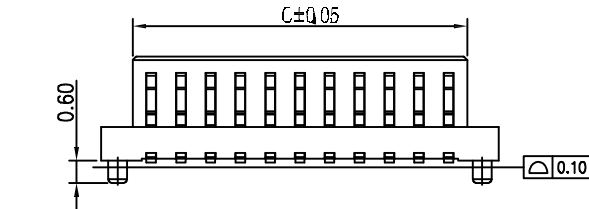
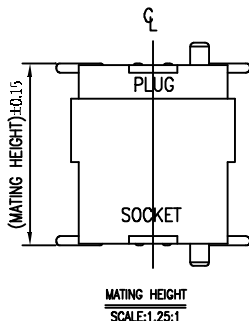
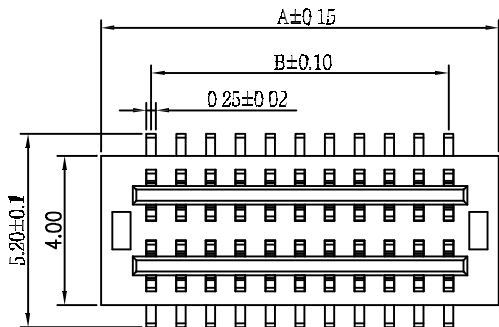
Insulation Height
Option:
08=0.8MM
10=1.0MM
20=2.0MM

Insulation Material
Option:
1=PBT
2=PPS
3=NY6T
4=LCP
5=NY66
6=Customized
7=NY46
8=NY9T

Serial No.
01-69

Packing
A=PE Bag
B=Tube
C=Tray
D=Reel

MATING HEIGHT	PLUG (H.)	SOCKET (H.)	NO. of contacts	Dimensions				NO. of contacts	Dimensions			
				A	B	C	D		A	B	C	D
4.0	1.0	3.0	4	3.50	0.80	1.80	2.60	54	23.50	20.80	21.80	22.60
4.5	1.0	3.5	6	4.30	1.60	2.60	3.40	56	24.30	21.60	22.60	23.40
5.0	1.0	4.0	8	5.10	2.40	3.40	4.20	58	25.10	22.40	23.40	24.20
5.5	1.0	4.5	10	5.90	3.20	4.20	5.00	60	25.90	23.20	24.20	25.00
6.0	2.0	4.0	12	6.70	4.00	5.00	5.80	62	26.70	24.00	25.00	25.80
6.5	2.0	4.5	14	7.50	4.80	5.80	6.60	64	27.50	24.80	25.80	26.60
7.0	2.0	5.0	16	8.30	5.60	6.60	7.40	66	28.30	25.60	26.60	27.40
7.5	2.0	5.5	18	9.10	6.40	7.40	8.20	68	29.10	26.40	27.40	28.20
8.0	2.0	6.0	20	9.90	7.20	8.20	9.00	70	29.90	27.20	28.20	29.00
8.5	2.0	6.5	22	10.70	8.00	9.00	9.80	72	30.70	28.00	29.00	29.80
9.0	2.0	7.0	24	11.50	8.80	9.80	10.60	74	31.50	28.80	29.80	30.60
9.5	2.0	7.5	26	12.30	9.60	10.60	11.40	76	32.30	29.60	30.60	31.40
10.0	2.0	8.0	28	13.10	10.40	11.40	12.20	78	33.10	30.40	31.40	32.20
10.5	2.0	8.5	30	13.90	11.20	12.20	13.00	80	33.90	31.20	32.20	33.00
11.0	2.0	9.0	32	14.70	12.00	13.00	13.80	82	34.70	32.00	33.00	33.80
11.5	2.0	9.5	34	15.50	12.80	13.80	14.60	84	35.50	32.80	33.80	34.60
12.0	2.0	10.0	36	16.30	13.60	14.60	15.40	86	36.30	33.60	34.60	35.40
12.5	2.0	10.5	38	17.10	14.40	15.40	16.20	88	37.10	34.40	35.40	36.20
13.0	2.0	11.0	40	17.90	15.20	16.20	17.00	90	37.90	35.20	36.20	37.00
13.5	2.0	11.5	42	18.70	16.00	17.00	17.80	92	38.70	36.00	37.00	37.80
14.0	2.0	12.0	44	19.50	16.80	17.80	18.60	94	39.50	36.80	37.80	38.60
14.5	2.0	12.5	46	20.30	17.60	18.60	19.40	96	40.30	37.60	38.60	39.40
15.0	2.0	13.0	48	21.10	18.40	19.40	20.20	98	41.10	38.40	39.40	40.20
15.5	2.0	13.5	50	21.90	19.20	20.20	21.00	100	41.90	39.20	40.20	41.00



LDCONN 东莞连大精密制品有限公司
 廠 大 DongGuan LianDa Precision Products Co., LTD

TITLE	PHO. 8mm Board to Board Male SMT Type	DRAWN BY	YTT	18.06.20
PART NO	L404XX-XXX2XXX	CHECKED BY		
DRAWING NO		APPROVED BY		
SCALE	1:1	UNIT	mm	PAGE 1/1
				SIZE A4

STANDARD TOLERANCE (EXCEPT SPECIFIED)	
LINER	ANGLES
.0 ±0.30	0.° ±3°
.00 ±0.20	.0° ±2°
.000 ±0.10	.00° ±1°