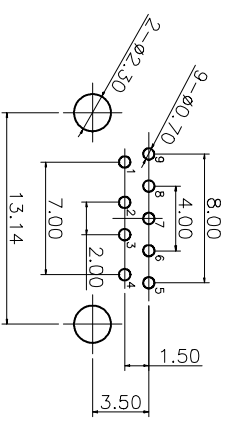
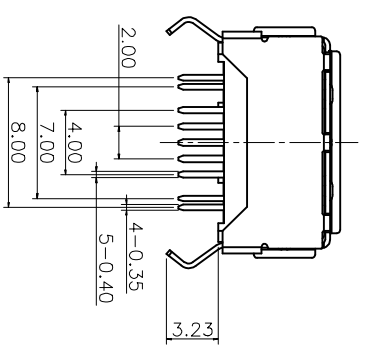
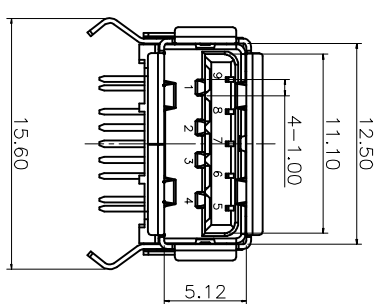
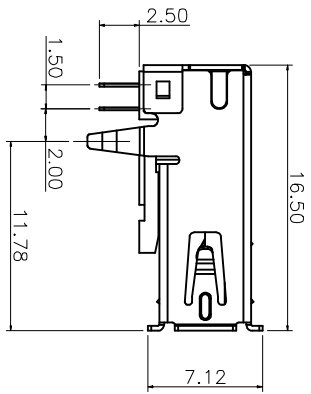
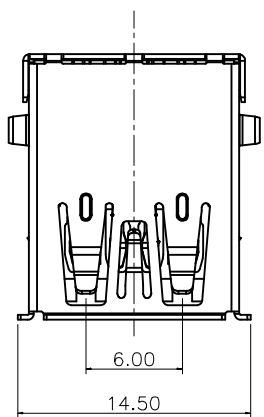
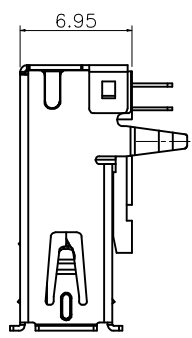


# HSE ROHS

REV	ECN NO	DESCRIPTION	DATE	NAME
A		NEW		

**NOTE:**

- Material:
  - Housing: PBT, UL94V-0; Color: Blue
  - Contact: Copper Alloy
  - Shell: Copper Alloy
- FINISH:
  - Contact: Au Plated on Contact Area, Matte Tin Plated on Solder Tails, Nickel Underplating Over All.
- Specification:
  - 3.1: Electrical:
    - Contact Current Rating: 1.8A For PIN1&PIN4  
0.25A For Others.
    - Insulation Resistance: 1000MΩ Min.
    - Contact Resistance: 30 mΩ Max.
    - Dielectric Withstanding Voltage: 500V/AC 1Minute
  - 3.2 Mechanical:
    - Mating Force: 3.57Kgf Max.
    - Ummating Force: 1.0Kgf Min.



PCB LAYOUT

## Ordering Information

L75709 - 1 1 X XX X

PIN 09-9P

Layer: 1=Single Layer

Colour: 3=Blue, 1=Black, 2=White

Serial NO.: 01-99

Packing: C=Tray, D=Reel

STANDARD TOLERANCE (EXCEPT SPECIFIED)	LINER	ANGLES
.0 ±0.30	0.°	±3°
.00 ±0.20	.0°	±2°
.000 ±0.10	.00°	±1°

<b>LDCONN 东莞连大精密制品有限公司</b> Dongguan LianDa Precision Products Co., LTD				
TITLE	USB 3.0 A/F 90° L16.5	DRAWN BY	Lu Junhui	18.11.08
PART NO	L75709-11XXXX	CHECKED BY		
DRAWING NO		APPROVED BY		
SCALE	1:1	UNIT	mm	PAGE 1/1
				SIZE A4