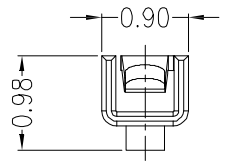
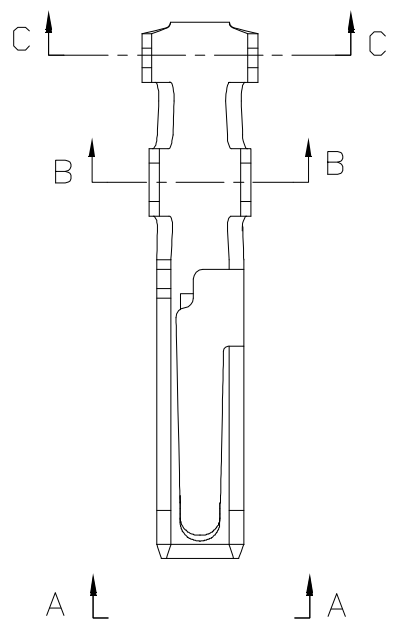
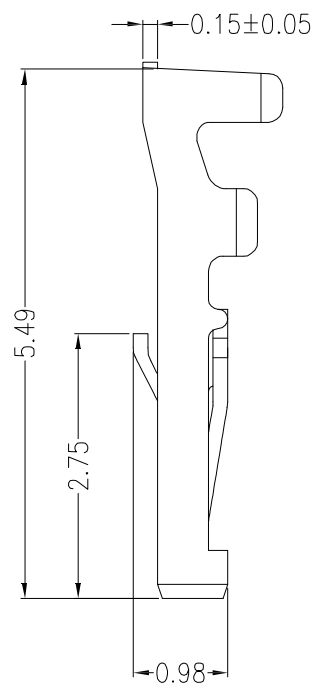
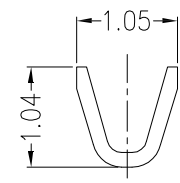


REV	ECN NO	DESCRIPTION	DATE	NAME
A	—	NEW	11/28-'19	LZM

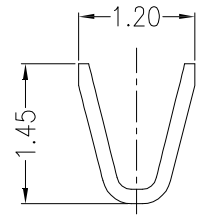
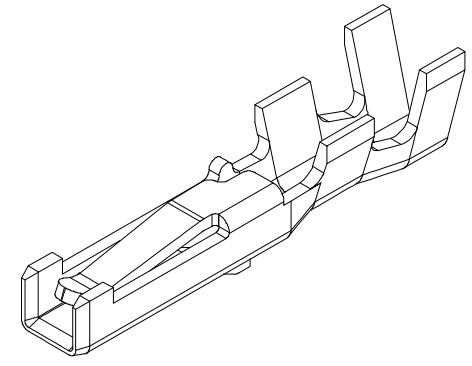
HSF RoHS



A-A



B-B



C-C

C				
B				
A	CONTACT	1 PCS	Phosphor bronze	Sn-plated
ITEM	COMPONENT	Q'TY	MATERIAL	FINISH

LDCONN 东莞连大精密制品有限公司
 连大 DongGuan LianDa Precision Products Co., LTD

TITLE	L1254T-PA Terminal	DRAWN BY	LZM	11/28-'19
PART NO.	L1254T-PA-Z	CHECKED BY		
DRAWING NO.		APPROVED BY		
SCALE	1:1	UNIT	mm	
PAGE	1/1	SIZE	A4	

STANDARD TOLERANCE (EXCEPT SPECIFIED)	
LINER	ANGLES
.0 ±0.30	0.° ±5°
.00 ±0.25	.0° ±2°
.000 ±0.10	.00° ±1°

Ordering Information & Specification:

Part No	Wire Range	Insulation O.D.	Material	Finish	Qty/Reel
L1254T-PA-Z	AWG #28~ 32	0.90mm(max)	Phosphor bronze	Sn-plated	10.000 pcs