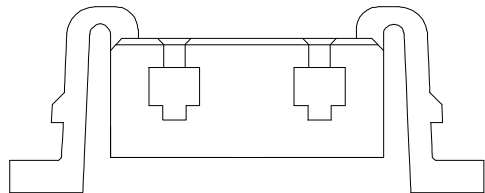
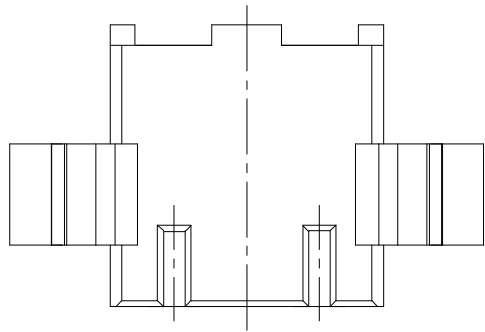
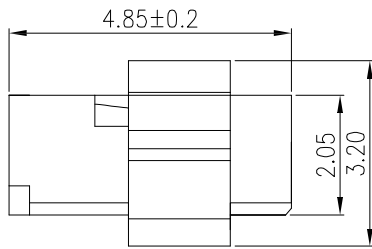
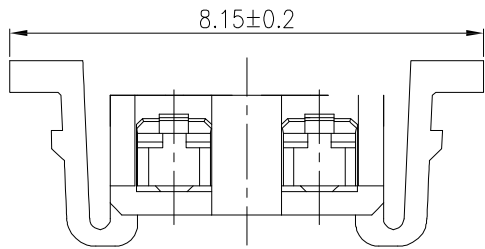
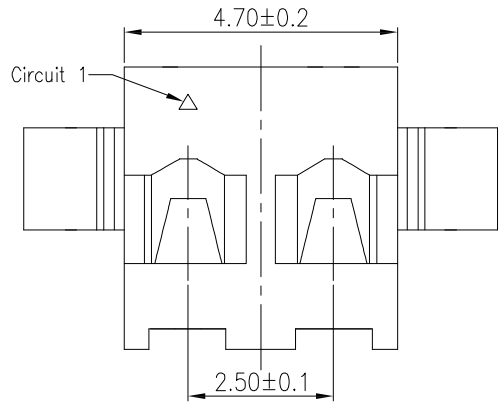


REV	ECN NO	DESCRIPTION	DATE	NAME
A	—	NEW	11/21-'19	LZM

**HSF RoHS**



**主要技术参数 Main Specifications**

- 线 数 (Poles) :02
- 接触电阻 (Contact resistance): $\leq 20m \Omega$
- 绝缘电阻 (Insulation resistance): $\geq 1000M \Omega$
- 额定电压 (Rated voltage):250V AC DC
- 额定电流 (Rated current):2.0A AC DC
- 耐 电压 (Withstand Voltage):1000V AC/minute
- 温度范围 (Temperature Range):-25°C~+85°C

ORDER INFORMATION:

<b>L2503Y-02-A5W-P</b>			
PART No.		PACKAGING:	
No. OF CIRCUITS:		P=PE	
02		PLASTIC MATERIAL:	
		A5W=PA66 (WHITE)	

A	HOUSING	1 PCS	PA66	UL 94V-0, COLOR:White
ITEM	COMPONENT	Q'TY	MATERIAL	FINISH

**LDCONN 东莞连大精密制品有限公司**  
**连 大 DongGuan LianDa Precision Products Co., LTD**

TITLE	L2503Y Housing	DRAWN BY	LZM	11/21-'19
PART NO	L2503Y-02-A5W-P	CHECKED BY		
DRAWING NO	—	APPROVED BY		
SCALE	1:1	UNIT	mm	
PAGE	1/1	SIZE	A4	

STANDARD TOLERANCE (EXCEPT SPECIFIED)	
LINER	ANGLES
.0 ±0.30	0.° ±3°
.00 ±0.20	.0° ±2°
.000 ±0.10	.00° ±1°