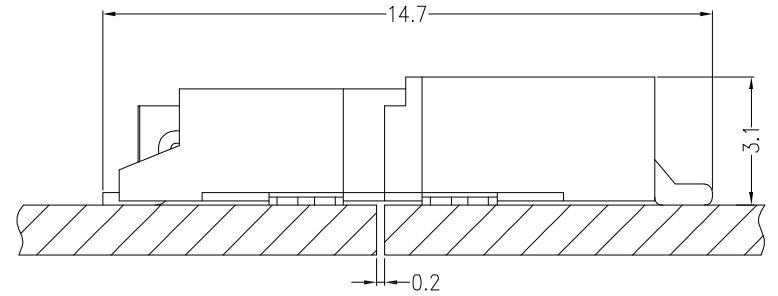
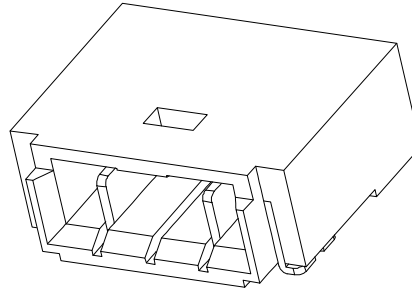
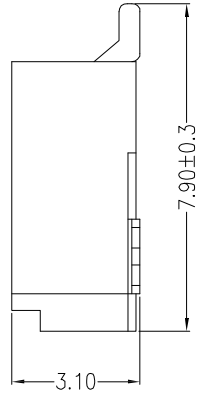
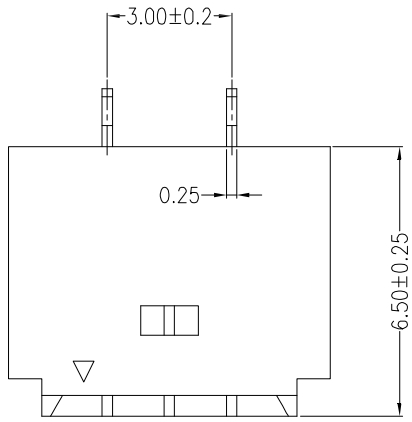


REV	ECN NO	DESCRIPTION	DATE	NAME
A	—	NEW	11/21-'19	XXL



## Assembly Layout

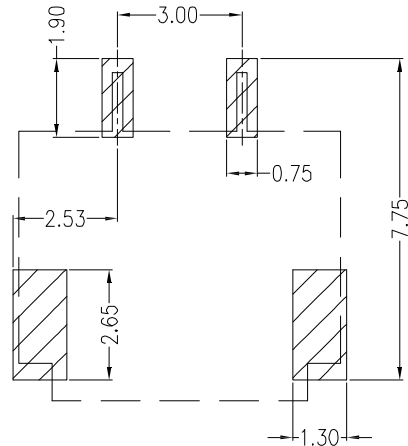
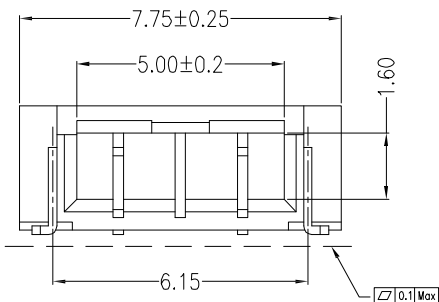
### Main Specifications:

- 1.Poles:02p
- 2.Contact Resistance:20 mΩ max.
- 3.Insulator Resistance:1000 Megohms min.
- 4.Rated voltage:150v AC DC
- 5.Rated current:1.0A AC DC
- 6.Dielectric withstanding Voltage: AC 1000V/minute
- 7.-25°C to+105°C

## Ordering Information

L3001R -XX - XXXB - R

PART No. ————  
 No. OF CIRCUITS: 02  
 PLASTIC MATERIAL:  
 F2M=LCP (BEIGE)  
 F4M=LCP (BEIGE)  
 PACKAGING:  
 R=REEL  
 P=PE  
 PLARING:  
 B=MATTE SN



Board Layout

General Tolerance: ± 0.05

STANDARD TOLERANCE (EXCEPT SPECIFIED)	
LINER	ANGLES
.0 ±0.30	0.° ±3°
.00 ±0.20	.0° ±2°
.000 ±0.10	.00° ±1°

LDCONN 东莞连大精密制品有限公司 连大 DongGuan LianDa Precision Products Co., LTD									
TITLE		3.0MM PITCH 1X2P 90° WAFER SMT TYPE		DRAWN BY		XXL		11/21-'19	
PART NO.		L3001R-02-XXXB-R		CHECKED BY					
DRAWING NO.		—		APPROVED BY					
SCALE	1:1	UNIT	mm		PAGE	1/1	SIZE	A4	