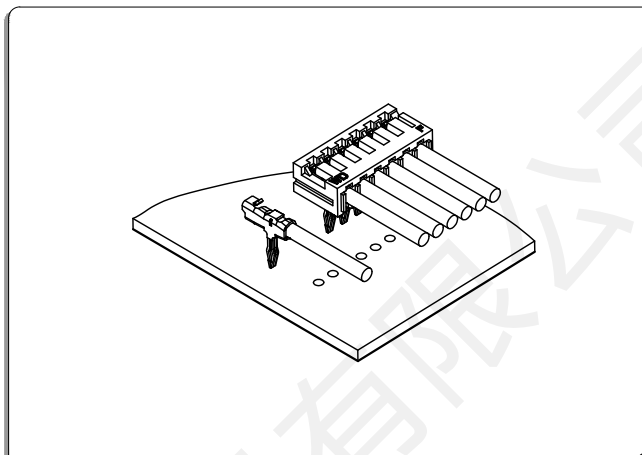


# WTJC15(JC15) Connector 1.5mm Pitch

WTB  
1.5

WTJC15(JC15) Connector 1.5mm Pitch

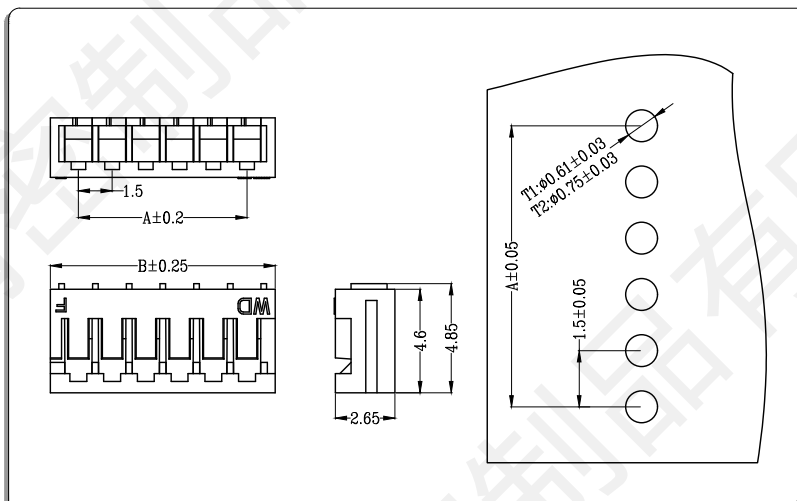


## ● 技术参数 SPECIFICATIONS

- 1、极数CKT: 2Pin to 20Pin
- 2、额定电流Current rating: 0.7A AC/DC
- 3、额定电压Voltage rating(max): 50V, AC/DC
- 4、工作温度Working Temperature: -25°C~+85°C,  
(含通电温度上升值)  
(Including temperature rise in applying electrical current)
- 5、绝缘电阻Insulation resistance:  $\geq 1000M\Omega$
- 6、耐电压Withstand voltage: 500VAC(rms)
- 7、适用线规 Applicable wire: AWG #30 to #26
- 8、适用基板厚度Applicable PC board thickness: 1.6mm to 2.0mm

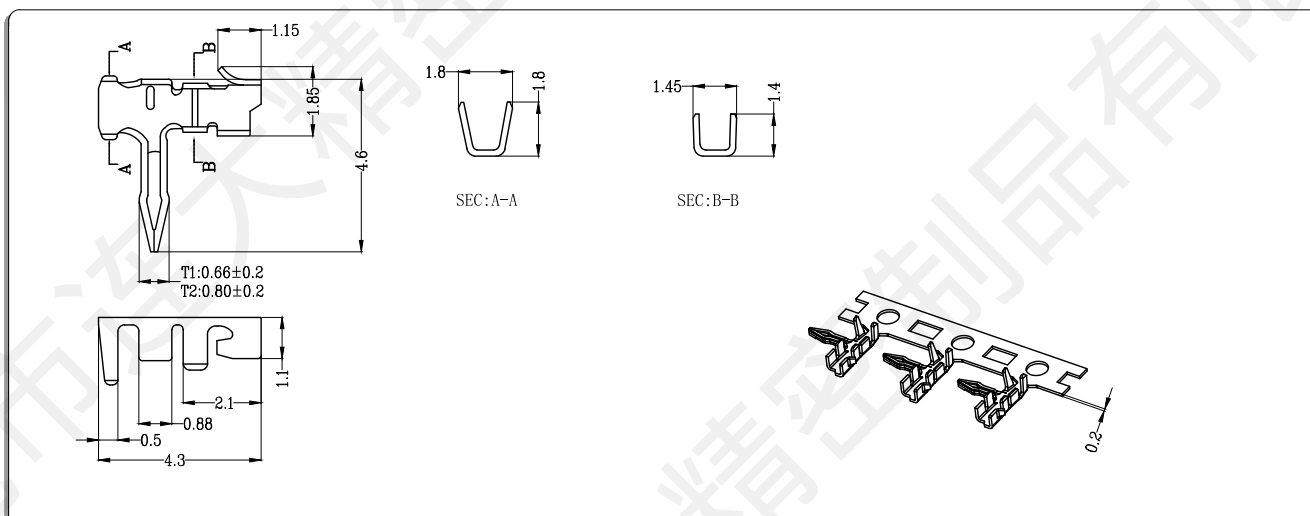
## ● 胶芯 Housing

- 材料Material: Nylon 66 UL94V-0



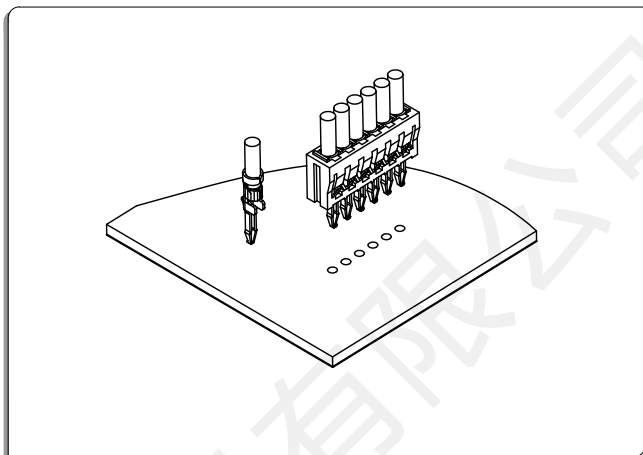
CKT	Part No	DIM A	DIM B
2	WTJC150-02	1.50	4.00
3	WTJC150-03	3.00	5.50
4	WTJC150-04	4.50	7.00
5	WTJC150-05	6.00	8.50
6	WTJC150-06	7.50	10.00
7	WTJC150-07	9.00	11.50
8	WTJC150-08	10.50	13.00
9	WTJC150-09	12.00	14.50
10	WTJC150-10	13.50	16.00
11	WTJC150-11	15.00	17.50
12	WTJC150-12	16.50	19.00
--	-- --	--	--
20	WTJC150-20	28.50	31.00

## ● 端子Terminal: T=0.2mm



Part No.	Wire Range	Insulation O.D	Material	Finish
WTJC150-T0	AWG#30~#26	1.10mm MAX	phosphor bronze	Tin & Gold-plated

# WTSZN15(SZN) Connector 1.5mm Pitch



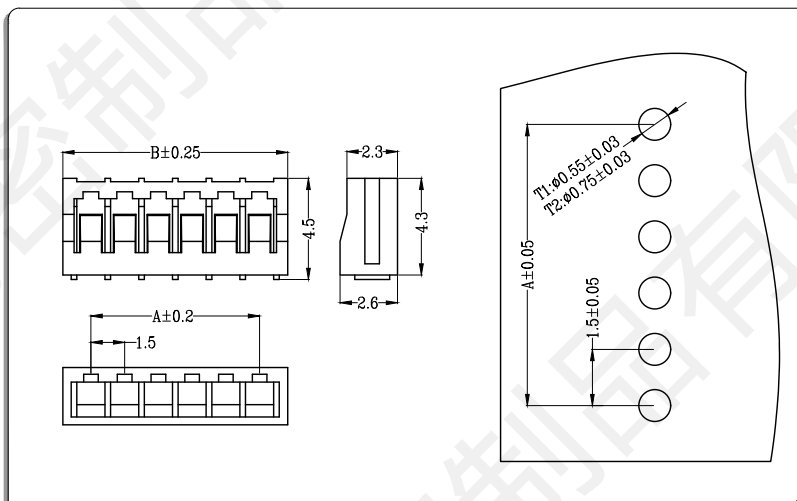
## ● 技术参数 SPECIFICATIONS

- 1、极数CKT: 2Pin to 20Pin
- 2、额定电流Current rating: 0.7A AC/DC
- 3、额定电压Voltage rating(max): 50V, AC/DC
- 4、工作温度Working Temperature: -25℃~+85℃, (含通电温度上升值)  
(Including temperature rise in applying electrical current)
- 5、绝缘电阻Insulation resistance:  $\geq 1000M\Omega$
- 6、耐电压Withstand voltage: 500VAC(rms)
- 7、适用线规 Applicable wire: AWG #30 to #26
- 8、适用基板厚度Applicable PC board thickness: 1.6mm to 2.0mm

WTB  
1.5

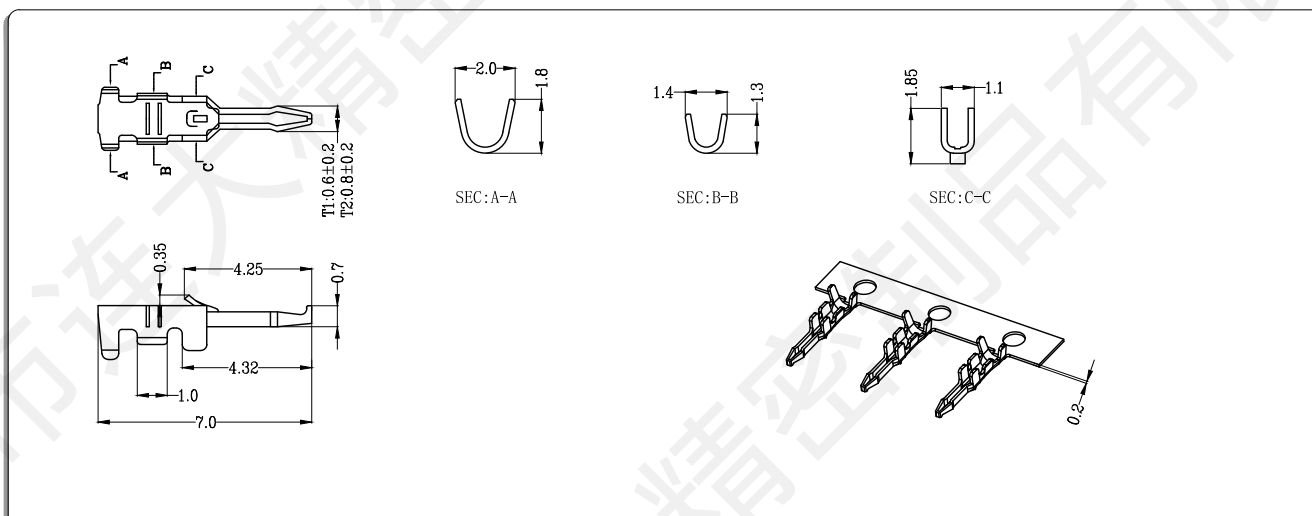
WTSZN15(SZN) Connector 1.5mm Pitch

- 胶芯 Housing
- 材料Material: Nylon 66 UL94V-0



CKT	Part No	DIM A	DIM B
2	WTSZN15-02	1.50	4.00
3	WTSZN15-03	3.00	5.50
4	WTSZN15-04	4.50	7.00
5	WTSZN15-05	6.00	8.50
6	WTSZN15-06	7.50	10.00
7	WTSZN15-07	9.00	11.50
8	WTSZN15-08	10.50	13.00
9	WTSZN15-09	12.00	14.50
10	WTSZN15-10	13.50	16.00
11	WTSZN15-11	15.00	17.50
12	WTSZN15-12	16.50	19.00
—	— —	— —	— —
20	WTSZN15-20	28.50	31.00

- 端子Terminal:  $T=0.2mm$



Part No.	Wire Range	Insulation O.D	Material	Finish
WTSZN15—T0	AWG#30~#26	1.10mm MAX	phosphor bronze	Tin & Gold-plated