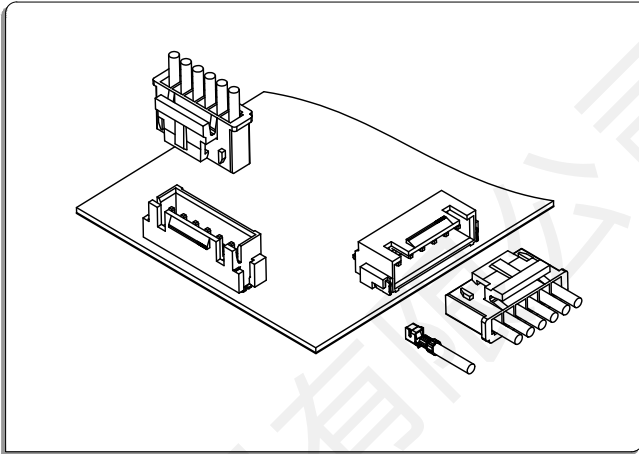


WT250K (XHB) Connector 2.5mm Pitch

WTB
2.5

WT250K (XHB) Connector 2.5mm Pitch

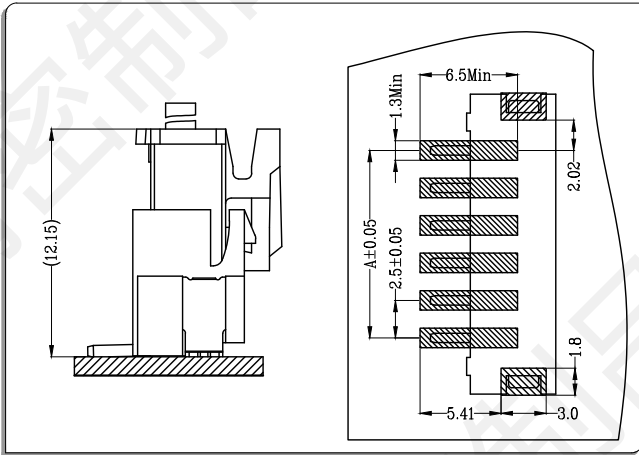


● 技术参数 SPECIFICATIONS

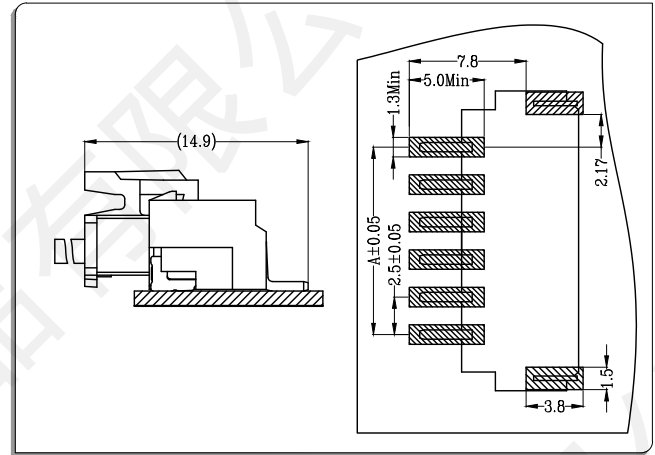
- 1、极数CKT: 2Pin to 16Pin
- 2、额定电流Current rating: 3A AC/DC
- 3、额定电压Voltage rating(max): 250V, AC/DC
- 4、工作温度Working Temperature: -25°C~+85°C, (含通电温度上升值)
(Including temperature rise in applying electrical current)
- 5、接触电阻Contact resistance: 初始Initial value $\leq 20m\Omega$
环境测试后After environmental testing $\leq 30m\Omega$
- 6、绝缘电阻Insulation resistance: $\geq 1000M\Omega$
- 7、耐电压Withstand voltage: 1000VAC (rms)
- 8、适用线规 Applicable wire: AWG #28 to #22
- 9、适用基板厚度Applicable PC board thickness: 1.6mm to 2.0mm

● 安装尺寸 Mounting Measurement

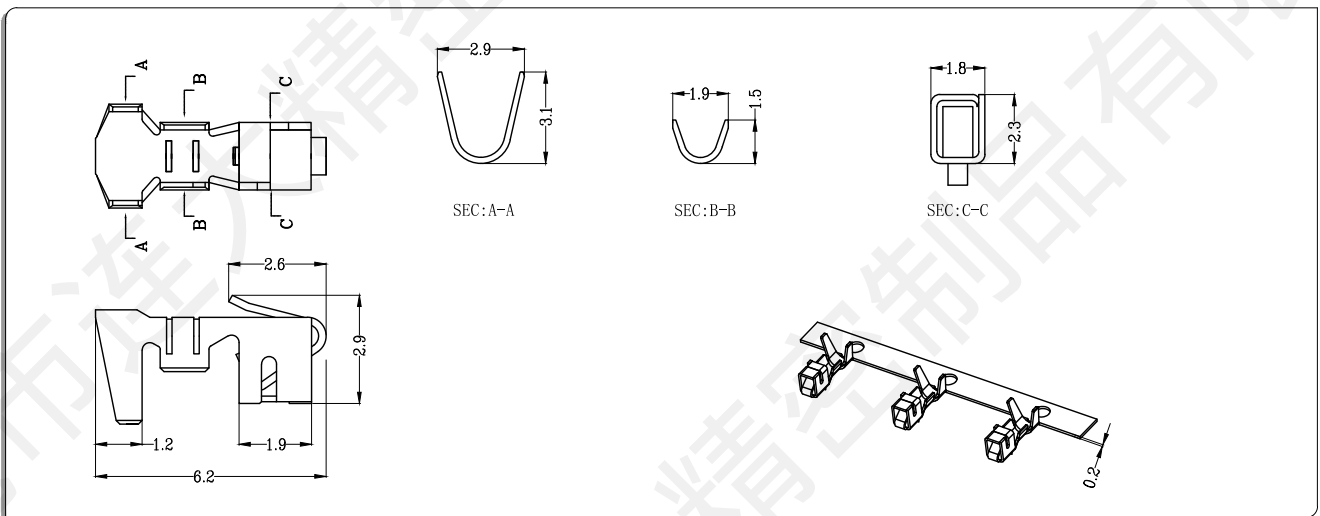
● 立式 Straight Angle



● 卧式 Right Angle



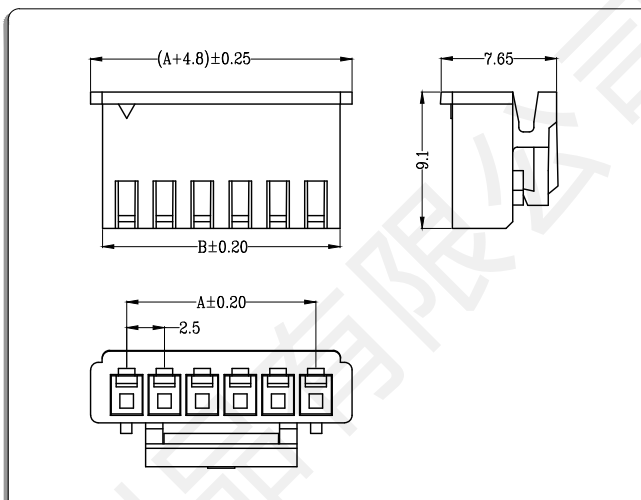
● 端子Terminal: T=0.2mm



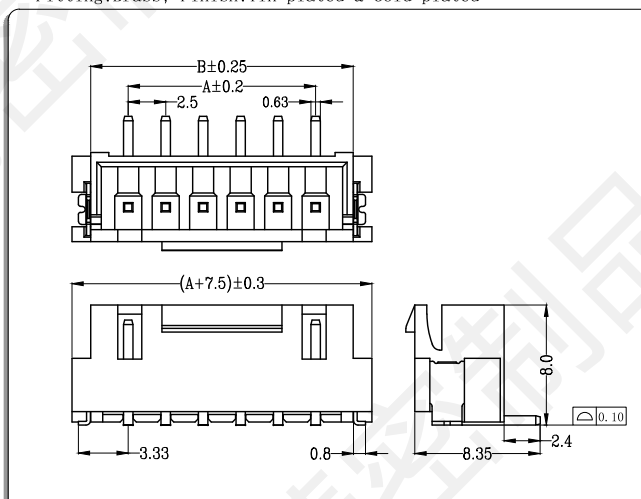
Part No.	Wire Range	Insulation O.D	Material	Finish
WT250M0-T0	AWG#28~#22	1.90mm MAX	phosphor bronze	Tin & Gold-plated

WT250K (XHB) Connector 2.5mm Pitch

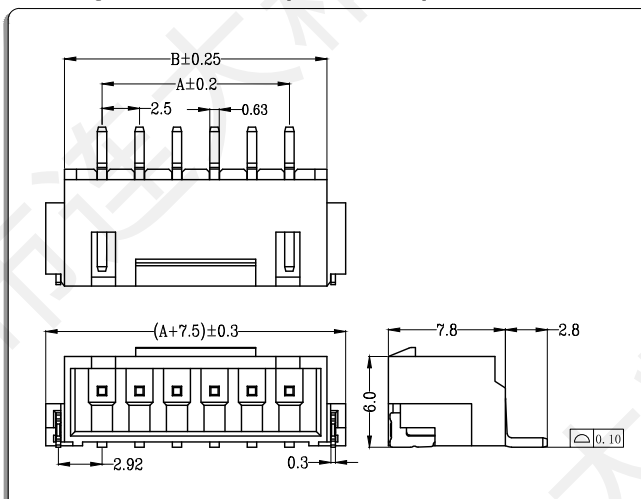
- 公头胶壳 Housing
- 材料Material: Nylon 66 UL94V-0



- 针座 Wafer
- 材料与表面处理 Material and Finish:
Housing:LCP UL94V-0 & Terminal:Brass &
Fitting:Brass; Finish:Tin-plated & Gold-plated



- 材料与表面处理 Material and Finish:
Housing:LCP UL94V-0 & Terminal:Brass &
Fitting:Brass; Finish:Tin-plated & Gold-plated



CKT	Part No	DIM A	DIM B
2	WT250K0-02	2.50	7.50
3	WT250K0-03	5.00	10.00
4	WT250K0-04	7.50	12.50
5	WT250K0-05	10.00	15.00
6	WT250K0-06	12.50	17.50
7	WT250K0-07	15.00	20.00
8	WT250K0-08	17.50	22.50
9	WT250K0-09	20.00	25.00
10	WT250K0-10	22.50	27.50
11	WT250K0-11	25.00	30.00
12	WT250K0-12	27.50	32.50
—	— —	—	—
16	WT250K0-16	37.50	42.50

CKT	Part No	DIM A	DIM B
2	WT250KL-02	2.50	7.50
3	WT250KL-03	5.00	10.00
4	WT250KL-04	7.50	12.50
5	WT250KL-05	10.00	15.00
6	WT250KL-06	12.50	17.50
7	WT250KL-07	15.00	20.00
8	WT250KL-08	17.50	22.50
9	WT250KL-09	20.00	25.00
10	WT250KL-10	22.50	27.50
11	WT250KL-11	25.00	30.00
12	WT250KL-12	27.50	32.50
—	— —	—	—
16	WT250KL-16	37.50	42.50

CKT	Part No	DIM A	DIM B
2	WT250KW-02	2.50	7.50
3	WT250KW-03	5.00	10.00
4	WT250KW-04	7.50	12.50
5	WT250KW-05	10.00	15.00
6	WT250KW-06	12.50	17.50
7	WT250KW-07	15.00	20.00
8	WT250KW-08	17.50	22.50
9	WT250KW-09	20.00	25.00
10	WT250KW-10	22.50	27.50
11	WT250KW-11	25.00	30.00
12	WT250KW-12	27.50	32.50
—	— —	—	—
16	WT250KW-16	37.50	42.50

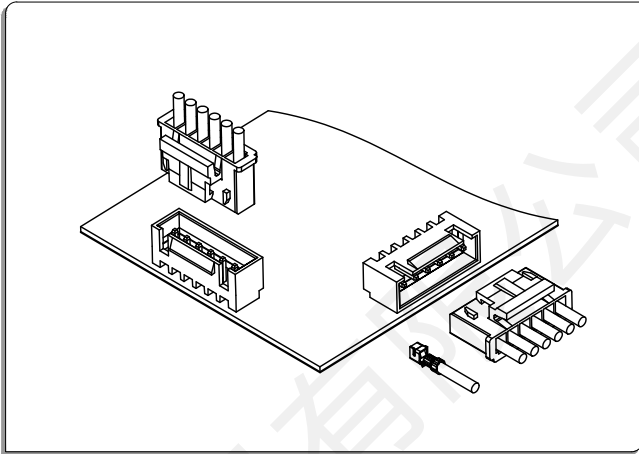
WTB
2.5

WT250K (XHB) Connector 2.5mm Pitch

WT250K (XHB) Connector 2.5mm Pitch

WTB
2.5

WT250K (XHB) Connector 2.5mm Pitch

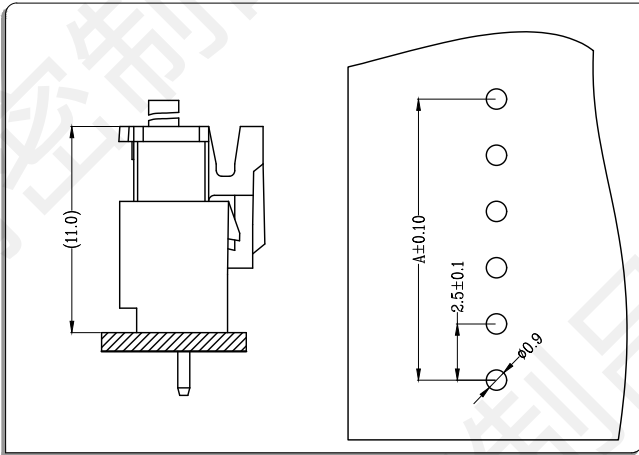


● 技术参数 SPECIFICATIONS

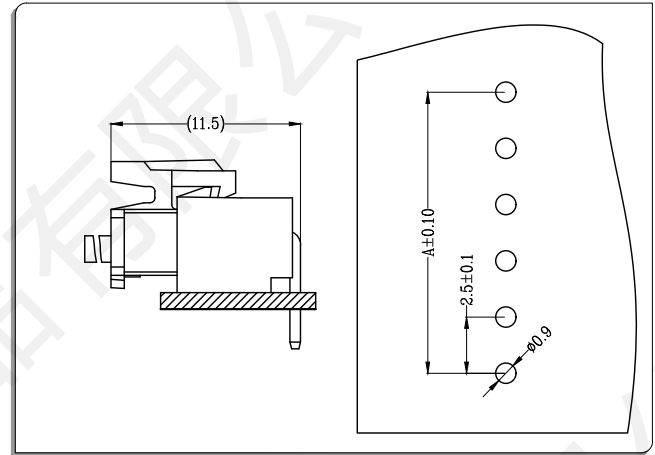
- 1、极数CKT: 2Pin to 16Pin
- 2、额定电流Current rating: 3A AC/DC
- 3、额定电压Voltage rating(max): 250V, AC/DC
- 4、工作温度Working Temperature: $-25^{\circ}\text{C} \sim +85^{\circ}\text{C}$,
(含通电温度上升值)
(Including temperature rise in applying electrical current)
- 5、接触电阻Contact resistance: 初始Initial value $\leq 20\text{m}\Omega$
环境测试后After environmental testing $\leq 30\text{m}\Omega$
- 6、绝缘电阻Insulation resistance: $\geq 1000\text{M}\Omega$
- 7、耐电压Withstand voltage: 1000VAC (rms)
- 8、适用线规 Applicable wire: AWG #28 to #22
- 9、适用基板厚度Applicable PC board thickness: 1.6mm to 2.0mm

● 安装尺寸 Mounting Measurement

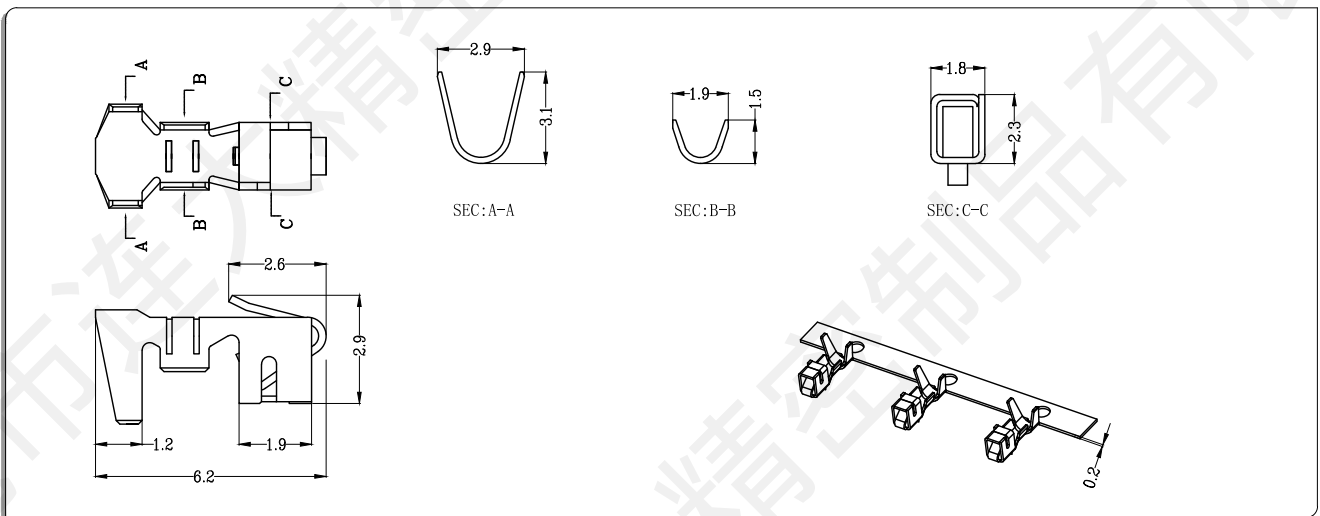
● 立式 Straight Angle



● 卧式 Right Angle



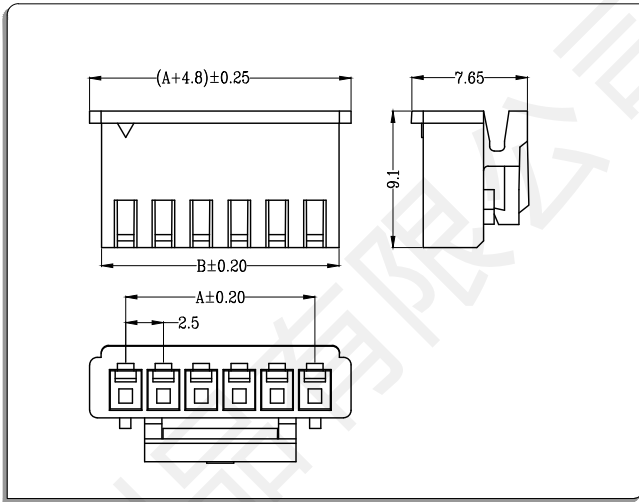
● 端子 Terminal: T=0.2mm



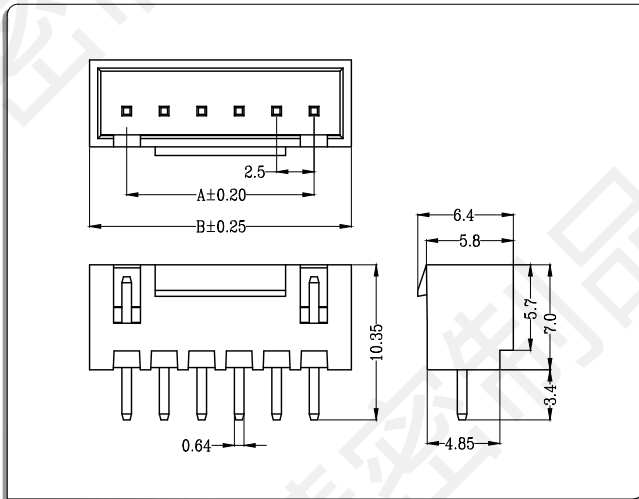
Part No.	Wire Range	Insulation O.D	Material	Finish
WT250M0—T0	AWG#28~#22	1.90mm MAX	phosphor bronze	Tin & Gold-plated

WT250K (XHB) Connector 2.5mm Pitch

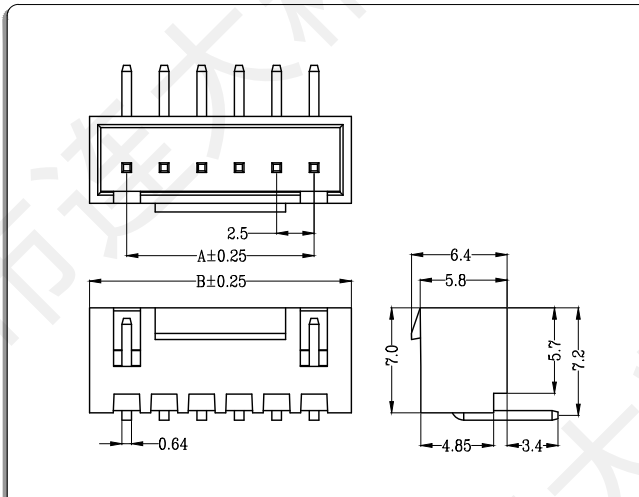
- 公头胶壳 Housing
- 材料Material: Nylon 66 UL94V-0



- 针座 Wafer
- 材料与表面处理 Material and Finish:
Housing:Nylon 66 UL94V-0 & Terminal:Brass
Finish:Tin-plated & Gold-plated



- 材料与表面处理 Material and Finish:
Housing:Nylon 66 UL94V-0 & Terminal:Brass
Finish:Tin-plated & Gold-plated



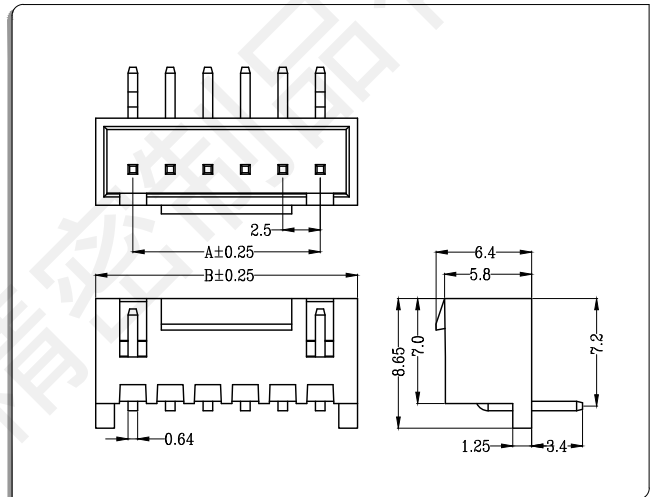
CKT	Part No	DIM A	DIM B
2	WT250K0-02	2.50	7.50
3	WT250K0-03	5.00	10.00
4	WT250K0-04	7.50	12.50
5	WT250K0-05	10.00	15.00
6	WT250K0-06	12.50	17.50
7	WT250K0-07	15.00	20.00
8	WT250K0-08	17.50	22.50
9	WT250K0-09	20.00	25.00
10	WT250K0-10	22.50	27.50
11	WT250K0-11	25.00	30.00
12	WT250K0-12	27.50	32.50
—	— —	—	—
16	WT250K0-16	37.50	42.50

CKT	Part No	DIM A	DIM B
2	WT250KL-02	2.50	7.50
3	WT250KL-03	5.00	10.00
—	— —	—	—
16	WT250KL-16	37.50	42.50

2	WT250KW-02	2.50	7.50
3	WT250KW-03	5.00	10.00
—	— —	—	—
16	WT250KW-16	37.50	42.50

2	WT250KW-02	2.50	7.50
3	WT250KW-03	5.00	10.00
—	— —	—	—
16	WT250KW-16	37.50	42.50

- 材料与表面处理 Material and Finish:
Housing:Nylon 66 UL94V-0 & Terminal:Brass
Finish:Tin-plated & Gold-plated



WTB
2.5

WT250K (XHB) Connector 2.5mm Pitch