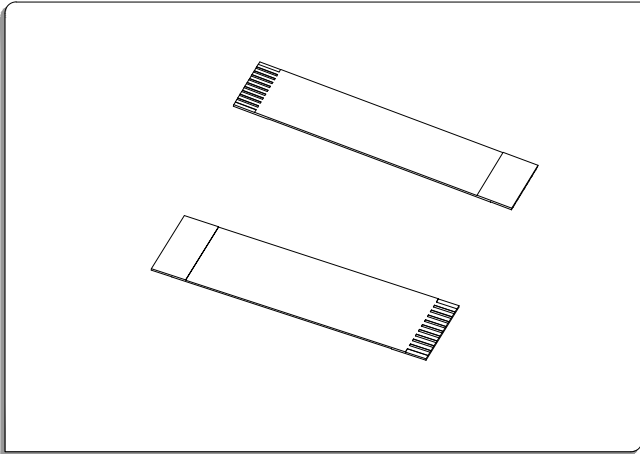
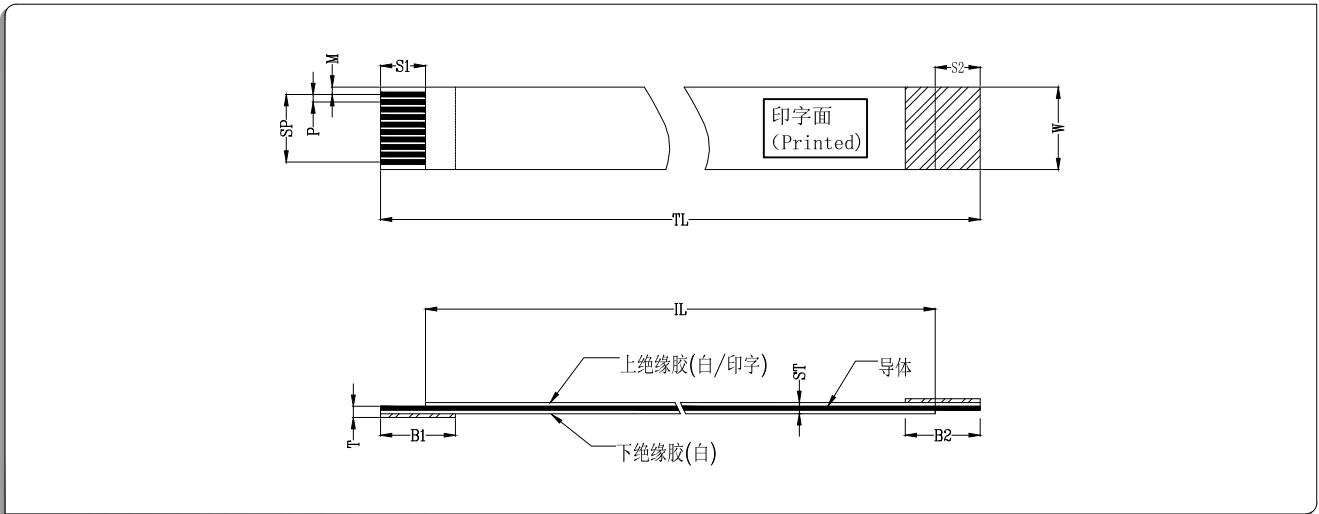


FFC Connector 1.0mm Pitch 反面



DIMENSION (尺寸)	
NO of conductors (导体数目)	N
Pitch (间距)	P
Span (总间距)	SP
Width (宽度)	W
Margin (边距)	M
	/
Total length (总长)	TL
Insulator length (绝缘胶长)	IL
Insert Thickness (插接端厚度)	T
Surface Thickness (线身厚度)	ST
Strip Length (裸铜长度)	S1
	S2
Supporting Tapelength (补强板长度)	B1
	B2



CKT	Part No	SP	W	TL
4	B1.0*04*50	3.00	5.00	50
5	B1.0*05*50	4.00	6.00	50
6	B1.0*06*50	5.00	7.00	50
7	B1.0*07*50	6.00	8.00	50
8	B1.0*08*50	7.00	9.00	50
9	B1.0*09*50	8.00	10.00	50
10	B1.0*10*50	9.00	11.00	50
11	B1.0*11*200	10.00	12.00	200
12	B1.0*12*200	11.00	13.00	200
13	B1.0*13*200	12.00	14.00	200
--	-- --	--	--	--