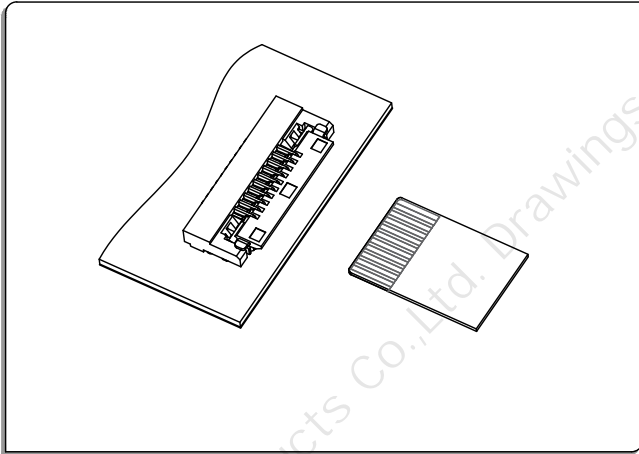


XW0512 Connector 0.5mm Pitch H1.2

FPC
0.5mm

XW0512 Connector 0.5mm Pitch

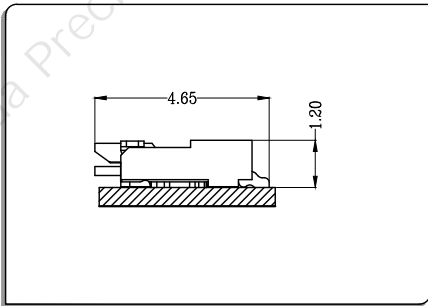


● 技术参数 SPECIFICATIONS

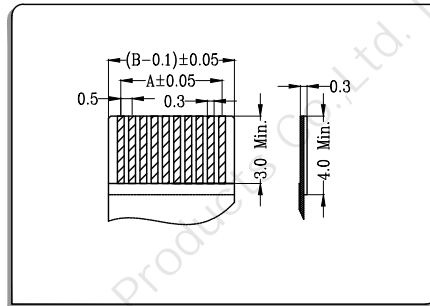
- 1、极数CKT: 4Pin to 60Pin
- 2、额定电流Current rating: 0.5A AC/DC
- 3、额定电压Voltage rating(max): 50V, AC/DC
- 4、工作温度Working Temperature: $-25^{\circ}\text{C} \sim +85^{\circ}\text{C}$,
(含通电温度上升值)
(Including temperature rise in applying electrical current)
- 5、接触电阻Contact resistance: 初始Initial value $\leq 30\text{m}\Omega$
环境测试后After environmental testing $\leq 50\text{m}\Omega$
- 6、绝缘电阻Insulation resistance: $\geq 500\text{M}\Omega$
- 7、耐电压Withstand voltage: 500VAC(rms)
- 8、适用基板厚度Applicable PC board thickness: 1.6mm to 2.0mm

● 安装尺寸 Mounting Measurement

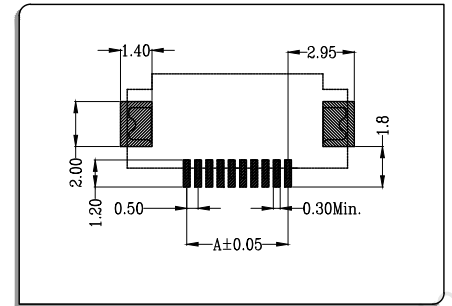
● Assembly Layout



● Applicable Flat Cable



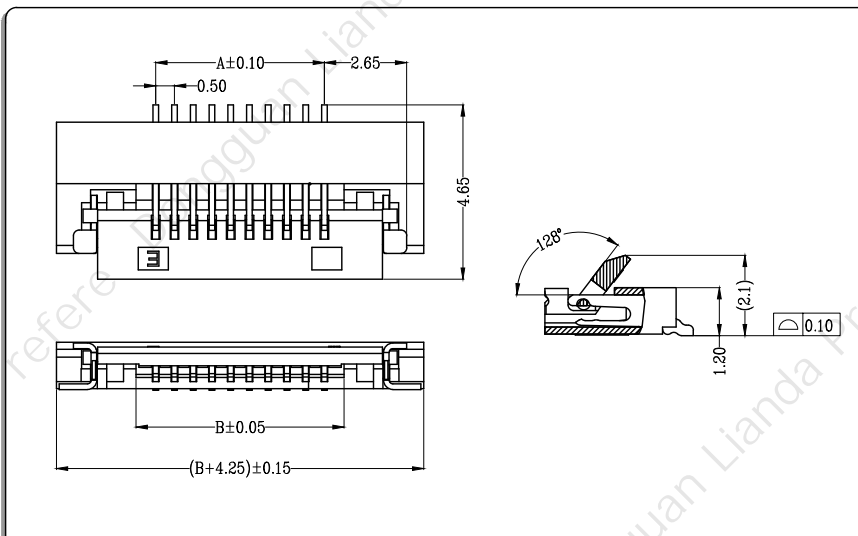
● P.C.B Layout



● 掀盖卧式 Easy-on R/A

● 材料与表面处理 Material and Finish:

Housing:LCP UL94V-0 & Terminal:phosphor bronze &
Fitting:phosphor bronze; Finish:Tin-plated & Gold-plated



CKT	Part No.	DIM A	DIM B
4	XW05122-04	1.50	2.55
5	XW05122-05	2.00	3.05
6	XW05122-06	2.50	3.55
7	XW05122-07	3.00	4.05
8	XW05122-08	3.50	4.55
9	XW05122-09	4.00	5.05
10	XW05122-10	4.50	5.55
11	XW05122-11	5.00	6.05
12	XW05122-12	5.50	6.55
13	XW05122-13	6.00	7.05
14	XW05122-14	6.50	7.55
--	-- --	--	--
60	XW05122-60	29.50	30.55