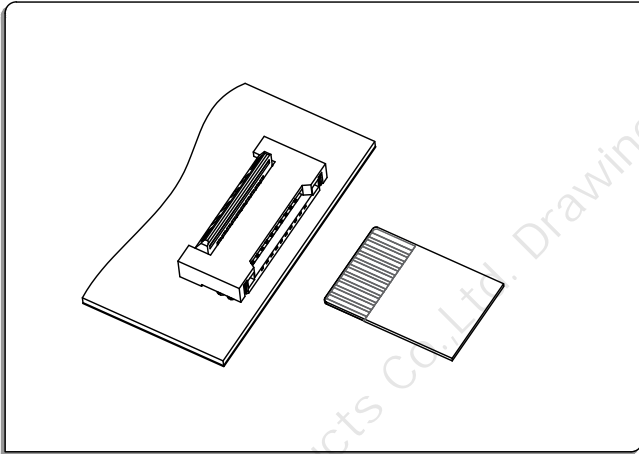


HW0515 Connector 0.5mm Pitch H1.5

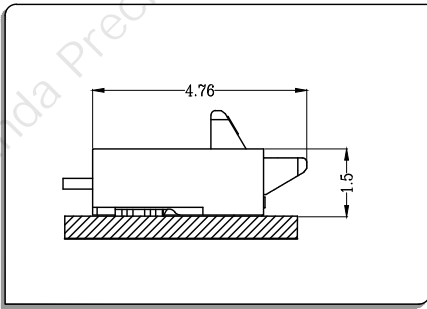


● 技术参数 SPECIFICATIONS

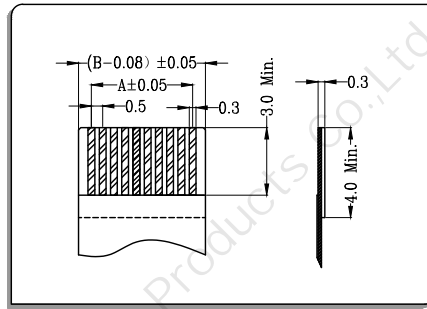
1. 极数CKT: 4Pin to 60Pin
2. 额定电流Current rating: 0.5A AC/DC
3. 额定电压Voltage rating(max): 50V, AC/DC
4. 工作温度Working Temperature: $-25^{\circ}\text{C} \sim +85^{\circ}\text{C}$,
(含通电温度上升值)
(Including temperature rise in applying electrical current)
5. 接触电阻Contact resistance: 初始Initial value $\leq 30\text{m}\Omega$
环境测试后After environmental testing $\leq 50\text{m}\Omega$
6. 绝缘电阻Insulation resistance: $\geq 500\text{M}\Omega$
7. 耐电压Withstand voltage: 500VAC(rms)
8. 适用基板厚度Applicable PC board thickness: 1.6mm to 2.0mm

● 安装尺寸 Mounting Measurement

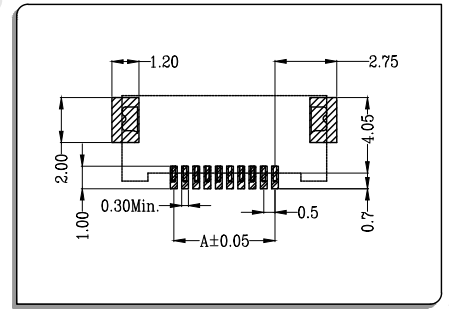
● Assembly Layout



● Applicable Flat Cable



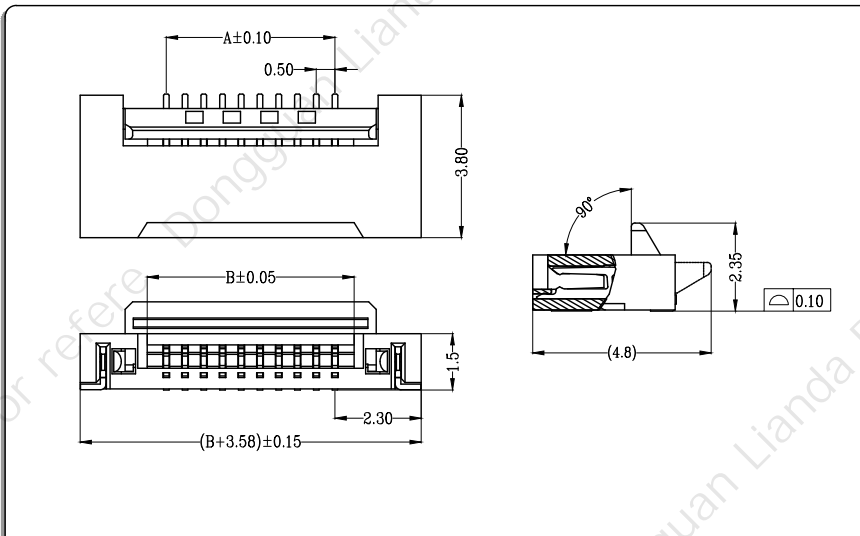
● P. C. B Layout



● 后压卧式 Back Flip R/A

● 材料与表面处理 Material and Finish:

Housing: LCP UL94V-0 & Terminal: phosphor bronze & Fitting: phosphor bronze; Finish: Tin-plated & Gold-plated



CKT	Part No	DIM A	DIM B
4	HW05150-04	1.50	2.52
5	HW05150-05	2.00	3.02
6	HW05150-06	2.50	3.52
7	HW05150-07	3.00	4.02
8	HW05150-08	3.50	4.52
9	HW05150-09	4.00	5.02
10	HW05150-10	4.50	5.52
11	HW05150-11	5.00	6.02
12	HW05150-12	5.50	6.52
13	HW05150-13	6.00	7.02
14	HW05150-14	6.50	7.52
--	--	--	--
60	HW05150-60	29.50	30.52