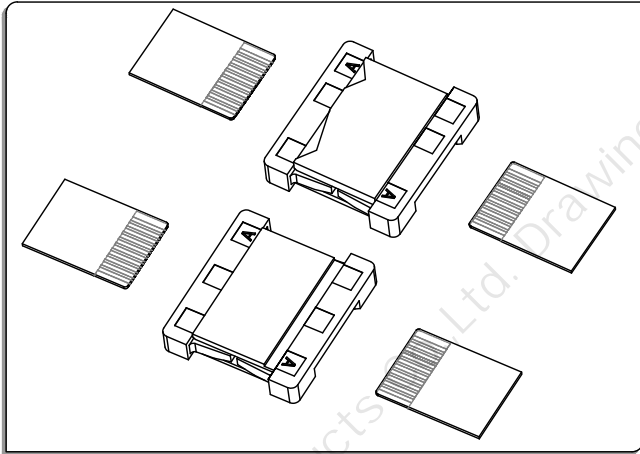


SL0520&SL0525 Connector 0.5mm Pitch H2.0/2.5

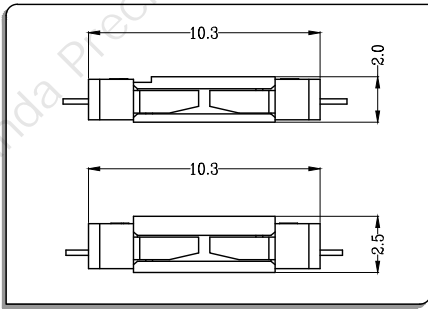


● 技术参数 SPECIFICATIONS

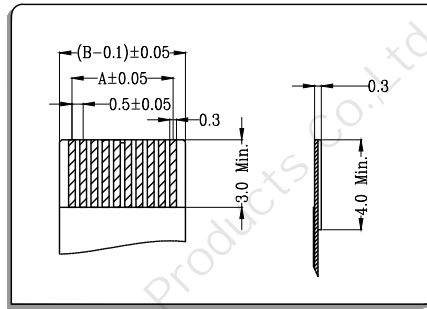
- 1、极数CKT: 4Pin to 60Pin
- 2、额定电流Current rating: 0.5A AC/DC
- 3、额定电压Voltage rating(max): 50V, AC/DC
- 4、工作温度Working Temperature: $-25^{\circ}\text{C} \sim +85^{\circ}\text{C}$,
(含通电温度上升值)
(Including temperature rise in applying electrical current)
- 5、接触电阻Contact resistance: 初始Initial value $\leq 30\text{m}\Omega$
环境测试后After environmental testing $\leq 60\text{m}\Omega$
- 6、绝缘电阻Insulation resistance: $\geq 500\text{M}\Omega$
- 7、耐电压Withstand voltage: 250VAC(rms)
- 8、适用基板厚度Applicable PC board thickness: 1.6mm to 2.0mm

● 安装尺寸 Mounting Measurement

● Assembly Layout



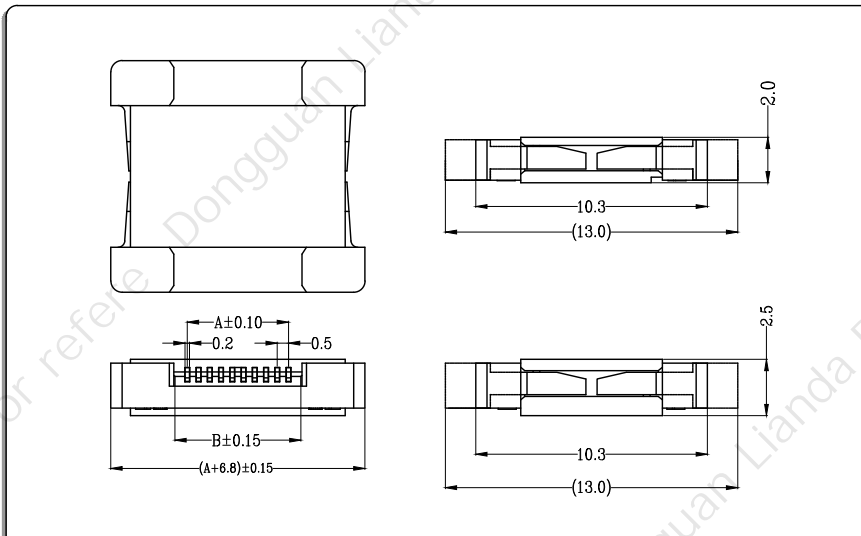
● Applicable Flat Cable



● 双面拉拔 Double-Side drawing

● 材料与表面处理 Material and Finish:

Housing:LCP UL94V-0 & Terminal:phosphor bronze &
Finish:Tin-plated & Gold-plated



CKT	Part No	DIM A	DIM B
4	SL05200-04	1.50	2.56
5	SL05200-05	2.00	3.06
6	SL05200-06	2.50	3.56
7	SL05200-07	3.00	4.06
8	SL05200-08	3.50	4.56
--	--	--	--
60	SL05200-60	29.50	30.56

4	SL05250-04	1.50	2.56
5	SL05250-05	2.00	3.06
6	SL05250-06	2.50	3.56
7	SL05250-07	3.00	4.06
8	SL05250-08	3.50	4.56
--	--	--	--
60	SL05250-60	29.50	30.56

FPC
0.5

SL0520&SL0525 Connector 0.5mm Pitch