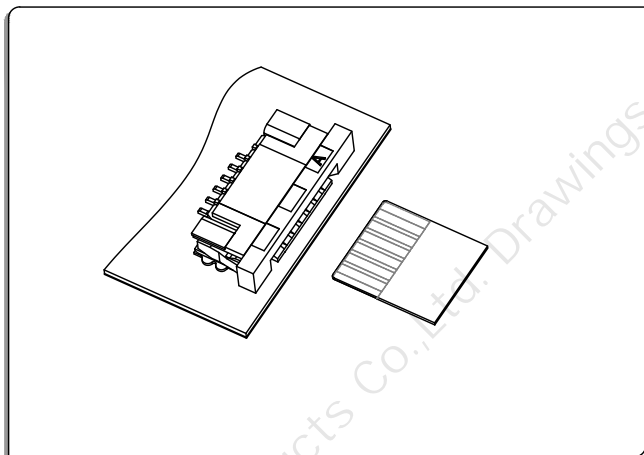


LW1025 Connector 1.0mm Pitch H2.5

FPC
1.0

LW1025 Connector 1.0mm Pitch

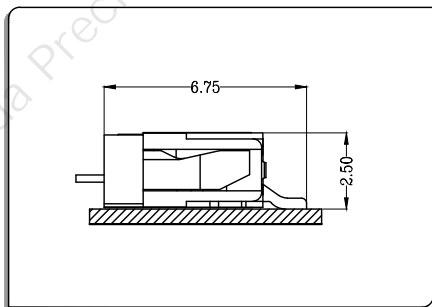


● 技术参数 SPECIFICATIONS

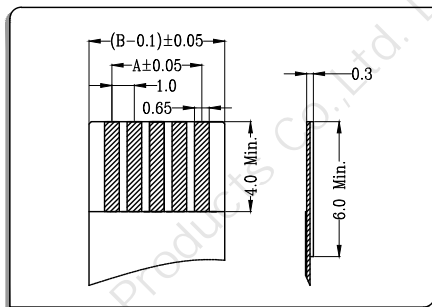
- 1、极数CKT: 4Pin to 40Pin
- 2、额定电流Current rating: 0.5A AC/DC
- 3、额定电压Voltage rating(max): 50V, AC/DC
- 4、工作温度Working Temperature: -25°C~+85°C, (含通电温度上升值)
(Including temperature rise in applying electrical current)
- 5、接触电阻Contact resistance: 初始Initial value $\leq 30m\Omega$
环境测试后After environmental testing $\leq 60m\Omega$
- 6、绝缘电阻Insulation resistance: $\geq 500M\Omega$
- 7、耐电压Withstand voltage: 250VAC(rms)
- 8、适用基板厚度Applicable PC board thickness: 1.6mm to 2.0mm

● 安装尺寸 Mounting Measurement

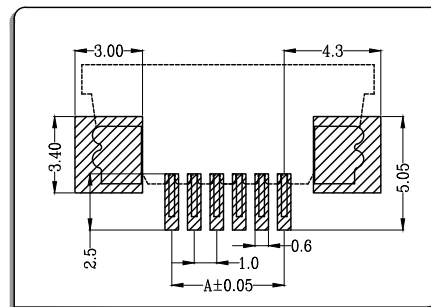
● Assembly Layout



● Applicable Flat Cable

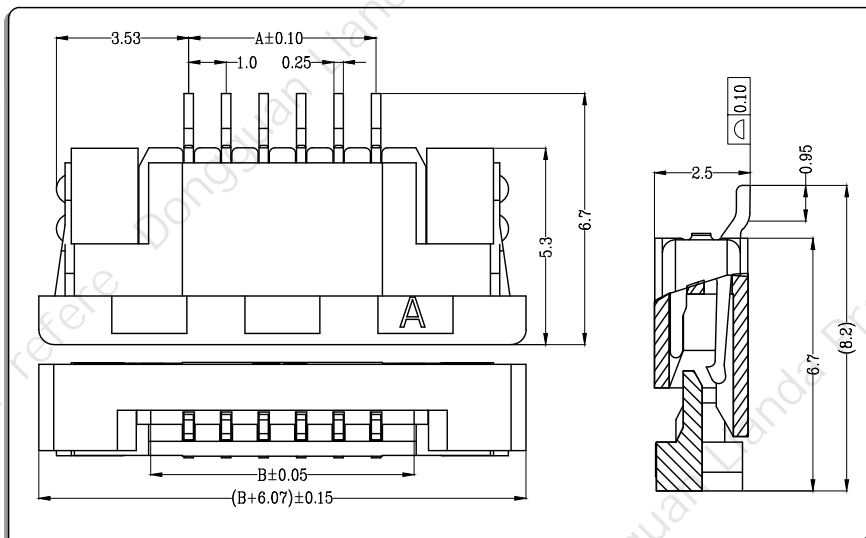


● P.C.B Layout



● 拉拔卧式下接触(抽屉式) ZIF R/A Down contact

- 材料与表面处理 Material and Finish:
Housing:LCP UL94V-0 & Terminal:phosphor bronze &
Fitting:Brass; Finish:Tin-plated & Gold-plated



CKT	Part No	DIM A	DIM B
4	LW10252-04	3.00	5.03
5	LW10252-05	4.00	6.03
6	LW10252-06	5.00	7.03
7	LW10252-07	6.00	8.03
8	LW10252-08	7.00	9.03
9	LW10252-09	8.00	10.03
10	LW10252-10	9.00	11.03
11	LW10252-11	10.00	12.03
12	LW10252-12	11.00	13.03
13	LW10252-13	12.00	14.03
14	LW10252-14	13.00	15.03
--	-- --	--	--
40	LW10252-40	39.00	41.03